



# INMOTION Controls, Inc.

## 342 Series Radio / Remote Control



INMOTION Controls' 342 Series Radio / Remote Control is a simple and convenient solution to an array of industrial applications. The System can be uniquely set up for pitch-and-catch operation, where two operators are operating a crane in tandem over a lengthy application. This capability lends itself to a safer and more efficient operation. A F-Type Antenna connector on the Receiver makes adding an extension of coaxial cable a quick, "do-it-your-self". The 342 Series holds true to the same safety standards exhibited by the rest of INMOTION's product line with its self-diagnostics, removable Transmitter key and E-Stop mushroom switch. An operating range of 300 feet, a pre-wired Receiving unit for easy installation, over 70 different Channels and over 1 million I.D. Codes to choose from make the 342 Series the ideal Radio Control Solution for your application. As with all INMOTION Controls products, the 342 Series comes with a standard one-year Warranty against all manufacturers' defects.

**WE HAVE OTHER MODELS AVAILABLE  
FOR ANY APPLICATION**



# INMOTION CONTROLS, INC.

## General Specifications

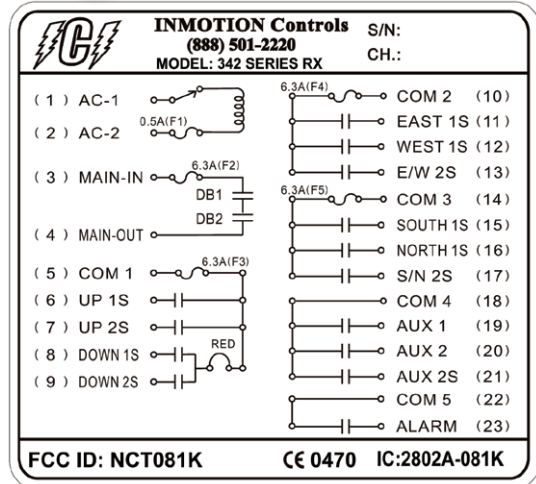
- Enclosure – IP 65 (indoor/outdoor)
- Structure: Fiberglass
- 70 Operating channels, 433.050 – 434.775 MHz
- Over 1 million sets of ID Codes
- Channel space = 25 KHz
- Operating environment – -40°F ~ 185°F
- Operating distance – 300 feet

## Transmitter

- (4) AA alkaline batteries
- Under ½ lb.
- Removable key (waterproof)
- Changeable pushbutton symbols
- Shock-resistant design

## Receiver

- 12-24 VDC
- 24/48/110 VAC
- 48/110/220 VAC
- 4.63 lbs.
- Shock-resistant
- Alarm and signal light output
- Built-in Siren



# INDOC CRANES

PO BOX 1000  
312 Hwy 305 South  
Dalmeny, SK  
Canada

## (306) 477-7447