



INMOTION Controls, Inc.

1242 Series Radio / Remote Control



INMOTION Controls' 1242 Series Radio / Remote Control is your solution to complex applications that call for a more versatile System. The 5-Motion, 2-Speed configuration allows it to control cranes that have 2 trolleys and 2 hoists. Its 2-Speed functionality gives the user more accuracy when placing loads.

The A/BOTH/B toggle switch allows the user to conveniently switch back and forth between functions, or use them at the same time. The System can be uniquely set up for pitch-and-catch operation, where two operators are operating a crane in tandem over a lengthy application. This capability lends itself to a safer and more efficient operation. Durable and robust while small enough to fit comfortably in the palm of the user's hand, the 1242 Transmitter employs a large, ergonomic E-Stop mushroom switch that will promptly cut power to the mainline contactor. With an operating range of 300+ ft. and ability to withstand a temperature range of -40 F ~185 F, the 1242 embodies the same uncompromising quality that our customers have come to expect. As with all INMOTION Controls products, the 1242 Series comes with our standard one-year Warranty against all manufacturer's defects.

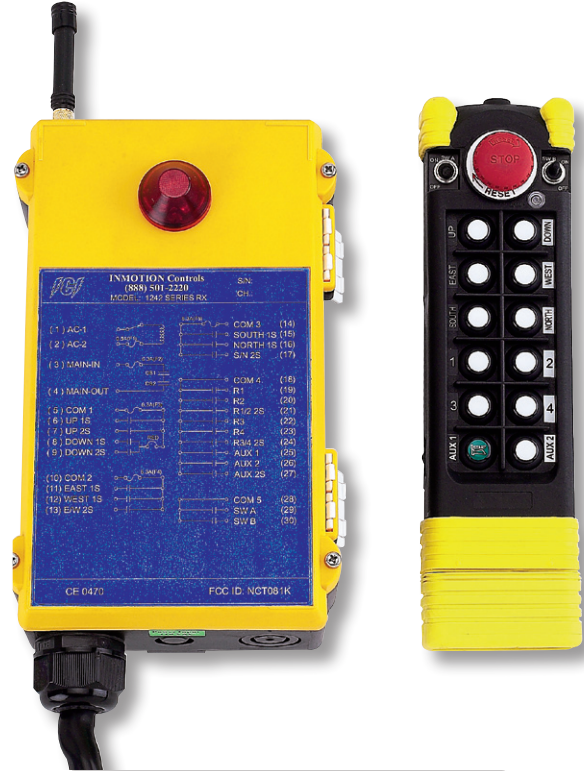
***WE HAVE OTHER MODELS AVAILABLE
FOR ANY APPLICATION***



INMOTION CONTROLS, INC.

General Specifications

- Enclosure – IP 65 (indoor/outdoor)
- 70 Operating channels, 433.050 – 434.775 MHz
- Over 1 million sets of ID Codes
- Channel space = 25 KHz
- Operating environment – -40°F ~ 185°F
- Operating distance – 300 feet

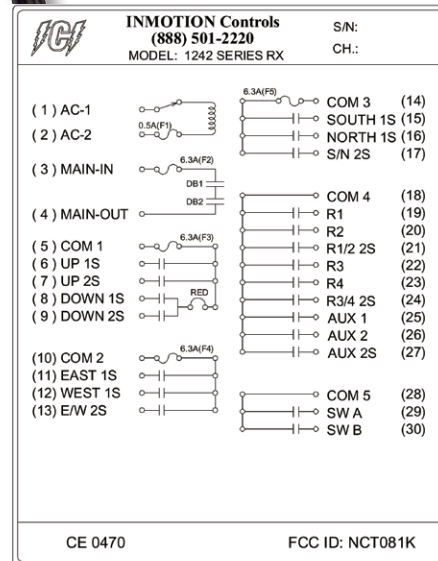


Transmitter

- (4) AA alkaline batteries
- Under 1 lb.
- Removable key
- Changeable pushbutton symbols

Receiver

- 12-24 VDC
- 24/48/110 VAC
- 48/110/220 VAC
- 6.39 lbs.
- Alarm and signal light output
- Built-in Siren



INDOC CRANES

PO BOX 1000
312 Hwy 305 South
Dalmeny, SK
Canada

(306) 477-7447