

P.O. Box 1000 312, Hwy 305North, Dalmeny, Sk S0K 1E0
Phone: (306) 477-7447 Fax: (306) 477-7448

CRANE SERVICES LTD.

Working with Condra Cranes, Indoc Crane Services has been awarded another tender December 2010 supplying Canada's Mining Industry with a high performance, High Lift double girder Condra Hoist and Trolley.

SCOPE OF WORK

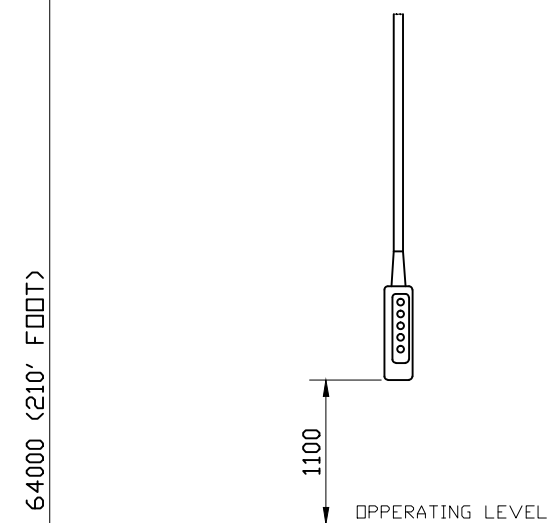
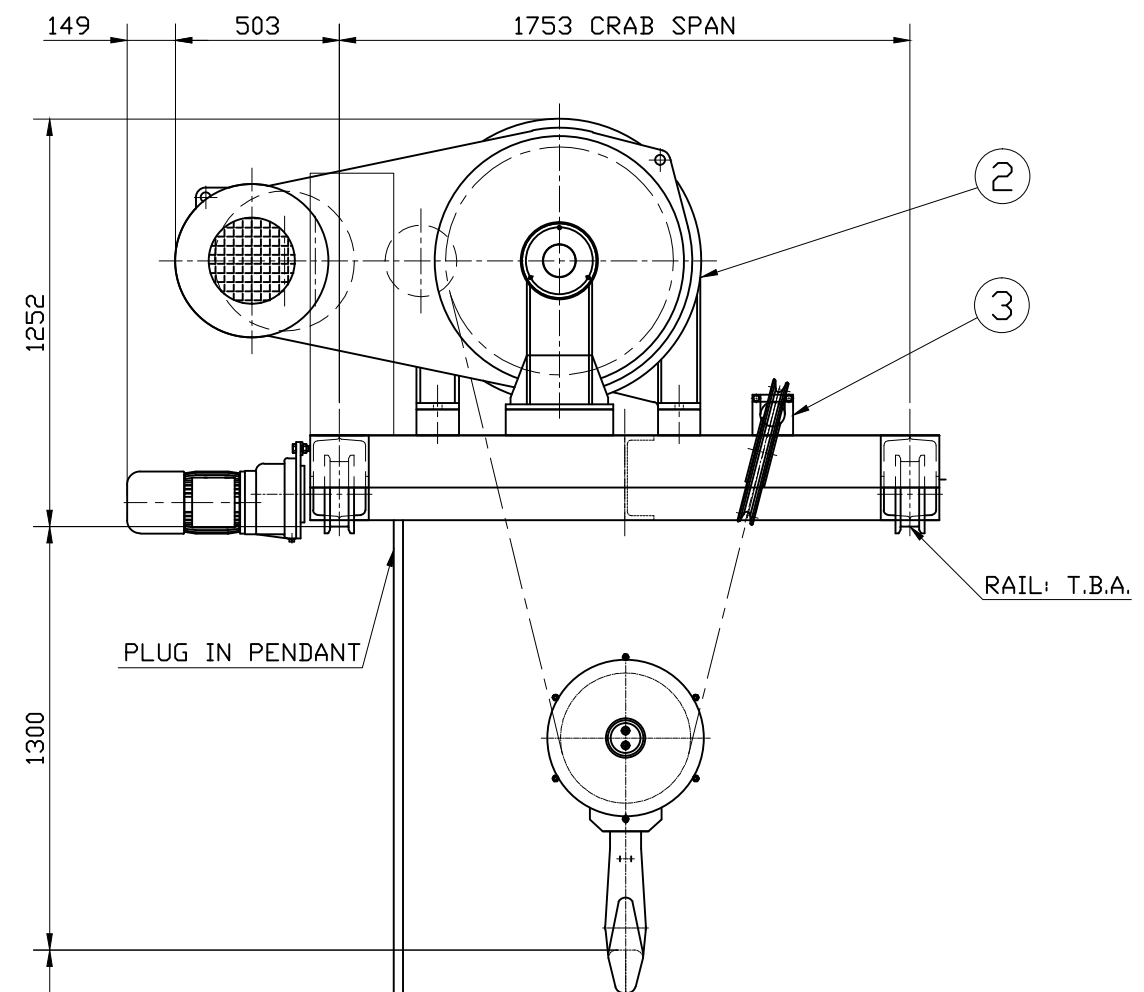
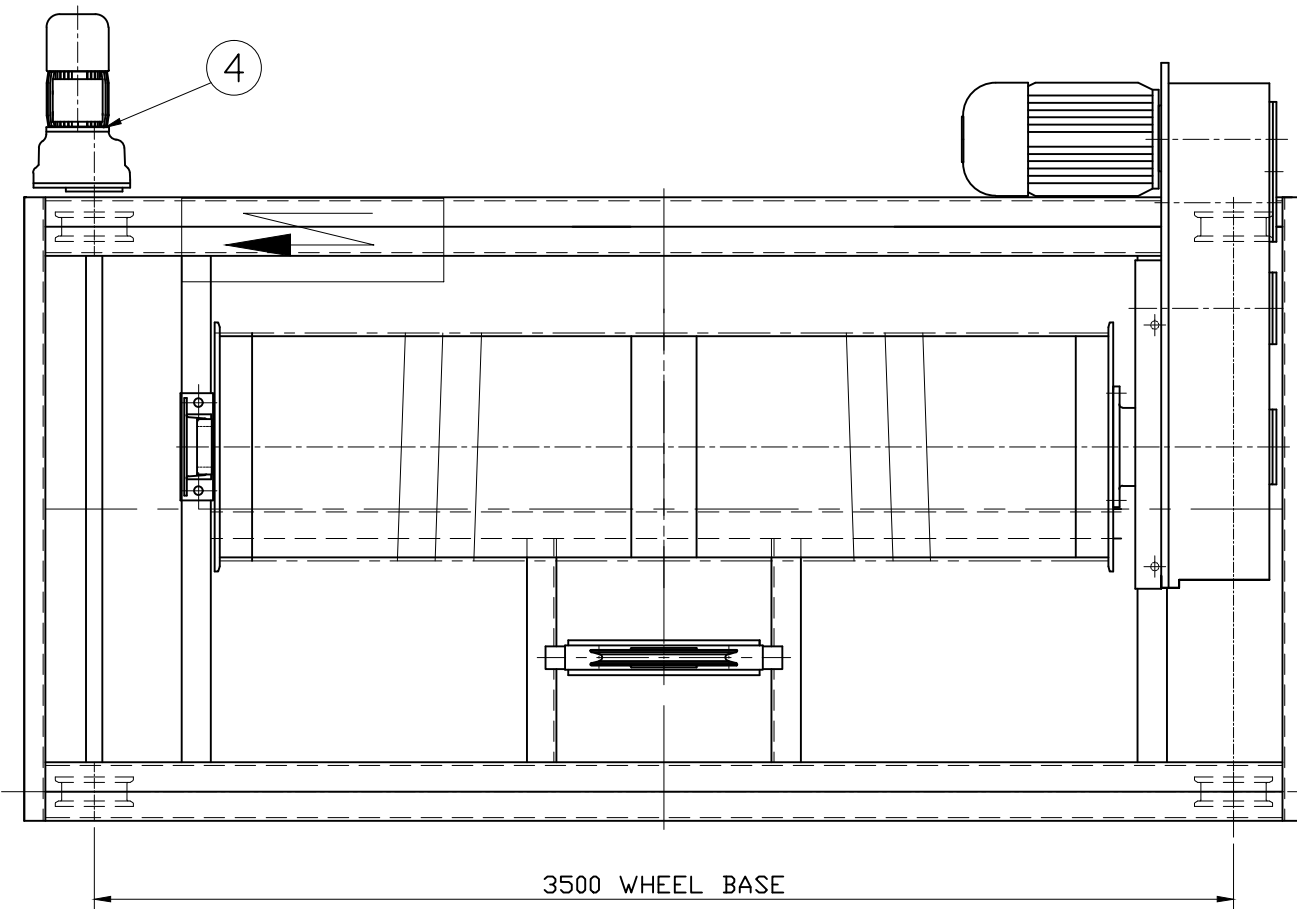
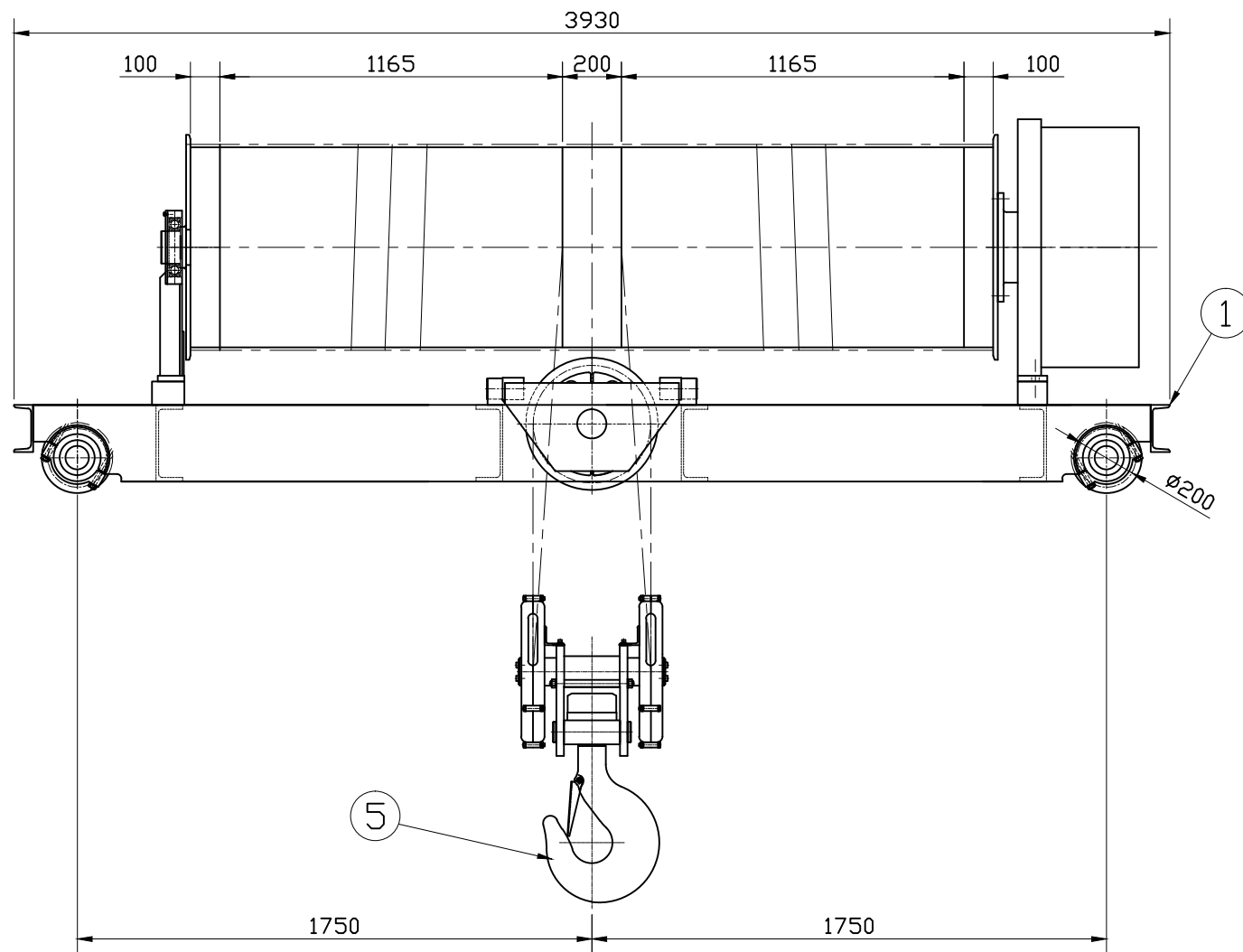
1. Replace existing hoist/trolley
2. Complete electrical rebuild of crane
3. Manufacture and install bridge wheel guards
4. Replace Bridge motor with VFD Rated motor
5. The hoist will run at 12m/min at no load for quicker placement of hook
6. The control panels will be nema 4 stainless steel enclosures
7. Crane will be fitted with a quick connect pendant and a 1242 remote control



Canadian Distributor
 **condra** (PTY) LIMITED
REG. NO. 1998/05223/07
Crane and Hoisting Equipment for Special Applications
Condra Hoists and Crane Components



Lifting Canada to New Heights



PANEL STAINLESS STEEL (NEMA)
 POWER SUPPLY: 575 VOLTS 3 PHASE 60 Hz
 CONTROL: 110 VOLTS
 OPERATING AREA: INDDOR
 PAINTING: CONDR A STANDARD

MOTION	MOTOR TYPE	kW	SPEED m/min
MAIN HOIST	HKD 225 4/12 POLE	36.0+VSD	UP TO 6.0
CROSS TRAVEL	TKD 112 4/12 POLE	1.2+VSD	UP TO 12.0

QTY.	DESCRIPTION	MATERIAL	MASS/UNIT
1	BOTTOM BLOCK Ø18 ROPE		425
1	C.T.DRIVE - D.D.		125
1	CRADLE - P.C.D. 400		150
1	HOIST DGE 24K L128 4/2		3800
1	CRAB FRAME Ø200		1450

REV.	DESCRIPTION	NAME	DATE	ITEM NO.	PART NO.	QTY.	DESCRIPTION	MATERIAL	MASS/UNIT
0	First Issue	RDR	21.10.10						
1	CUST. SPEC.	RDR	09.11.10						

CUSTOMER :		INDOC CRANE SERVICES		TOTAL MASS	6000kg.
				AM-NO.	0032-REV1
NAME	DATE				
DRAWN	RDR	21.10.10			
CHECKED	JK	21.10.10			
APPR.					
SCALE	TITLE :			DRAWING NO.	
1/10	30t HOIST & CRAB			AM-0032	
A1				REV 1	



REV. 1